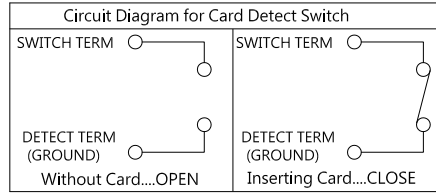
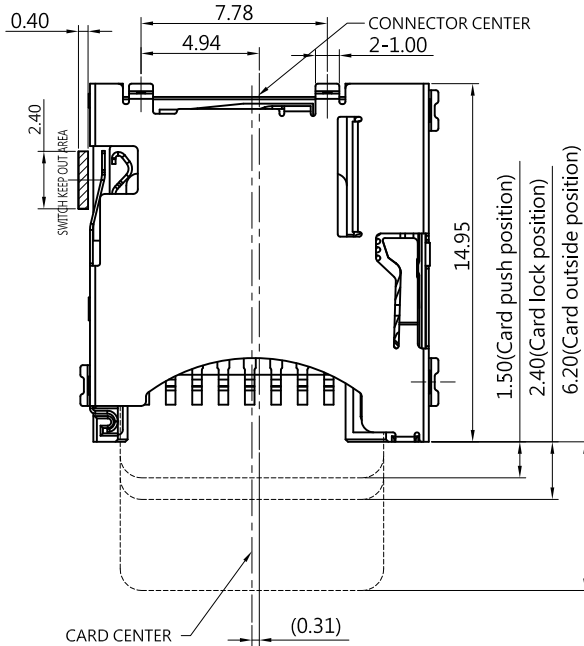
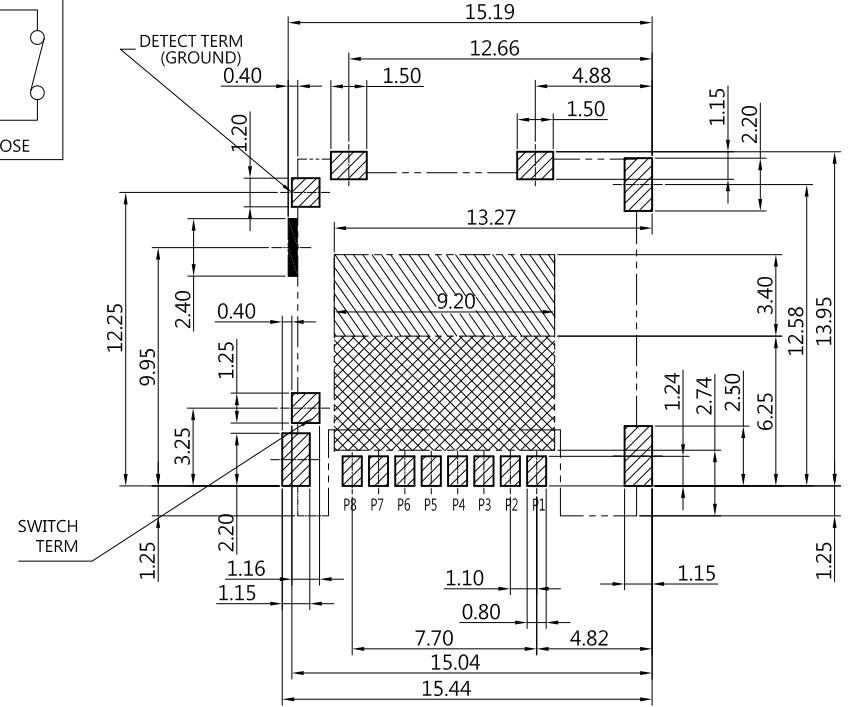
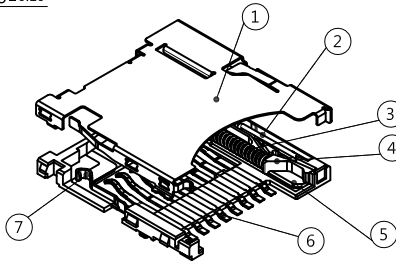
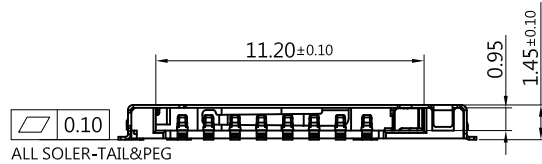


REV.	ECN NO OR DESCRIPTION	REVISED	DATE
▽	PROPOSE ONLY	ALLEN	2009.11.08

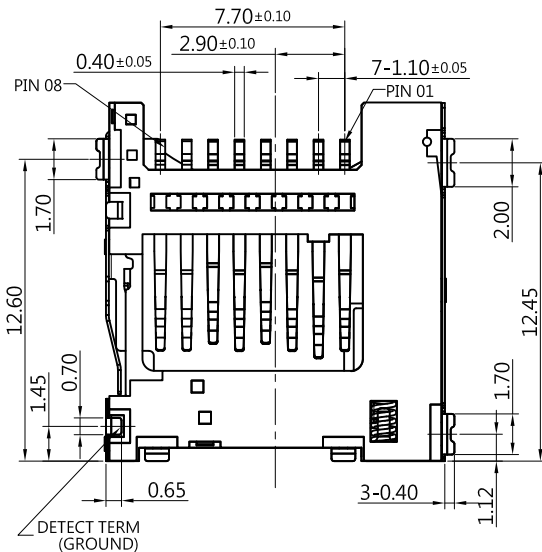


TERM 1	DATA 2
TERM 2	CD/DATA 3
TERM 3	CMD
TERM 4	VDD
TERM 5	CLK
TERM 6	VSS
TERM 7	DATA 0
TERM 8	DATA 1



- PROHIBITED AREA
 - PATTERN PROHIBITED AREA
 - SOLDERPROHIBITED AREA
- RECOMMENDED PCB PATTERN LAYOUT(TOP VIEW)

- *NOTES:**
1. COPLANARTY SPEC. FOR ALL SOLDER TAILS AND SOLDER PADS IS 0.1mm MAX.
 2. ELECTRICAL CHARACTERISTICS:
 - 2-1. CURRENT RATING: 0.5 Amp. MAX.
 - 2-2. VOLTAGE: 100V DC. MAX.
 - 2-3. LOW LEVEL CONTACT RESISTANCE: 100 mOhms MAX. INITIALLY.
 - 2-4. DIELECTRIC WITHSTANDING VOLTAGE: 500V AC MIN. FOR 1 MINUTE.
 - 2-5. INSULATION RESISTANCE: (INITIAL) 1000MOhms MIN.. (FINAL) 100MOhms MIN. BY APPLYING 500V DC ON MATED AND UNMATED CONNECTORS THROUGH MIL-STD-202, METHOD 302.
 3. MECHANICAL CHARACTERISTICS:
 - 3-1. DURABILITY: 5000 CYCLES.
 - 3-2. OPERATING TEMP. RANGE: -25°C TO 85°C. [INCLUDING TERMINAL TEMP. RISE]
 - 3-3. STORAGE TEMP.: -40°C TO 85°C.
 4. DIMENSIONS MARKED AREA MAJOR CHECKED DIMENSIONS.
 5. HARMFUL MATERIAL CONTROL PLEASE FOLLOW DOC. NO. "EPI12".



⑦	SWITCH PIN	1	COPPER ALLOY	GOLD PLATING
⑥	TERMINAL	8	COPPER ALLOY	GOLD PLATING
⑤	HOUSING	1	THERMAL PLASTIC	
④	SLIDER	1	THERMAL PLASTIC	
③	SPRING	1	SUS	
②	CAM FOLLOWER	1	SUS	
①	SHELL	1	SUS	Ni PLATING
NO.	PART NAME	Q'TY	DESCRIPTION	

UNLESS OTHERWISE SPECIFIED TOLERANCES

DECIMALS:	ANGLES:
X :±0.5	X :±2°
X.X :±0.20	X.X :±1°
X.XX :±0.10	

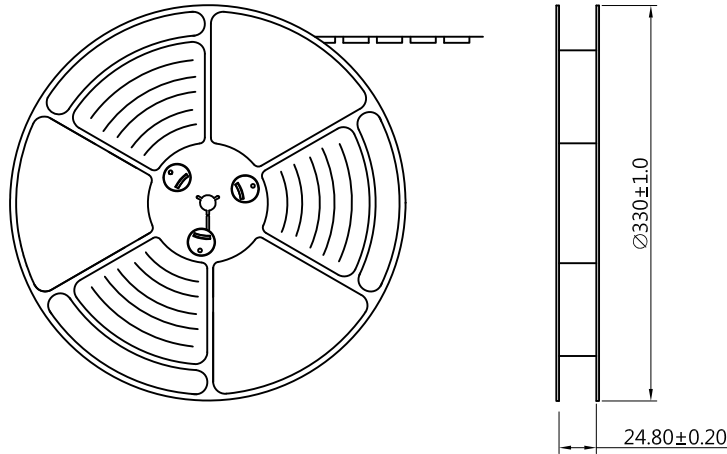
臺灣訊普電子科技有限公司

TITLE	1.45mm Push Micro SD CARD CONN.(NORMAL OPEN)			
DWN	ALLEN	PART NO.	TF-109	
CHKD	KEVIN	SCALE:1:1	UNIT: mm	
APVD	ERIC.W	SIZE: A3	SHEET:1OF 1	REV: A1

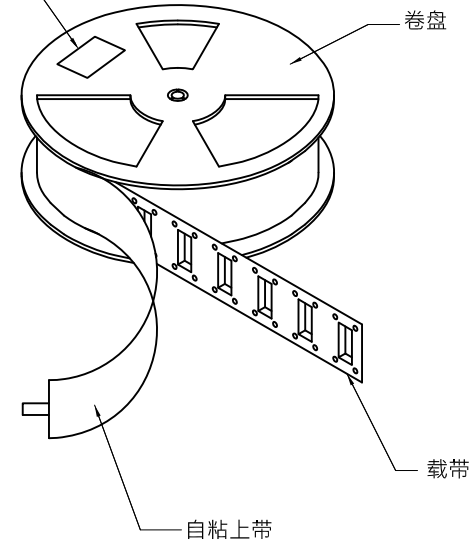
CUSTOMER COPY

REV.	ECN NO OR DESCRIPTION	REVISED	DATE
▽	PROPOSE ONLY	ALLEN	2009.11.08

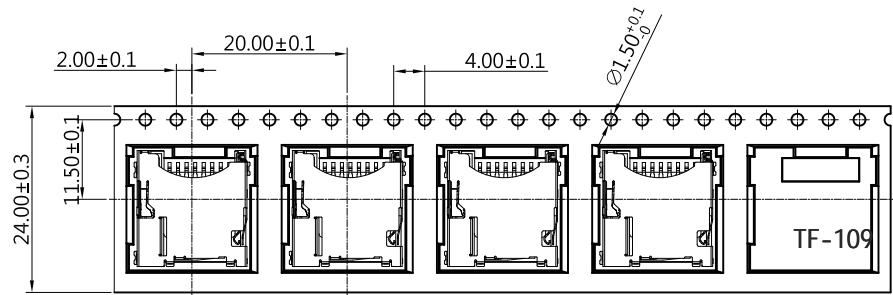
出料方向
PULL OUT DIRECTEON



标签粘贴处 (朝卷装包材小定位孔一侧)



出料方向
PULL OUT DIRECTEON



UNLESS OTHERWISE SPECIFIED TOLERANCES

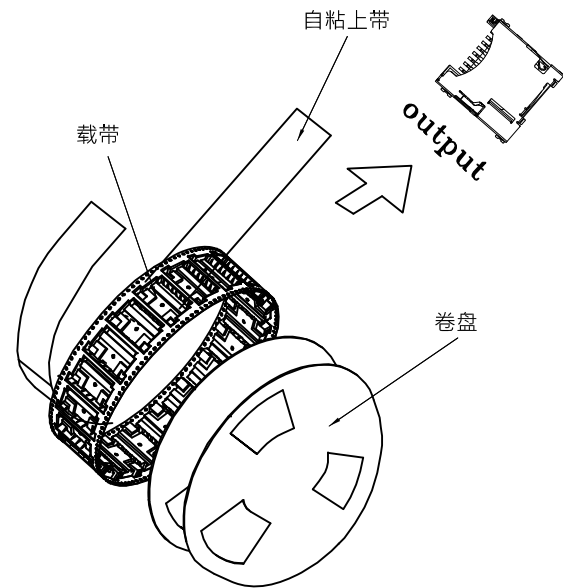
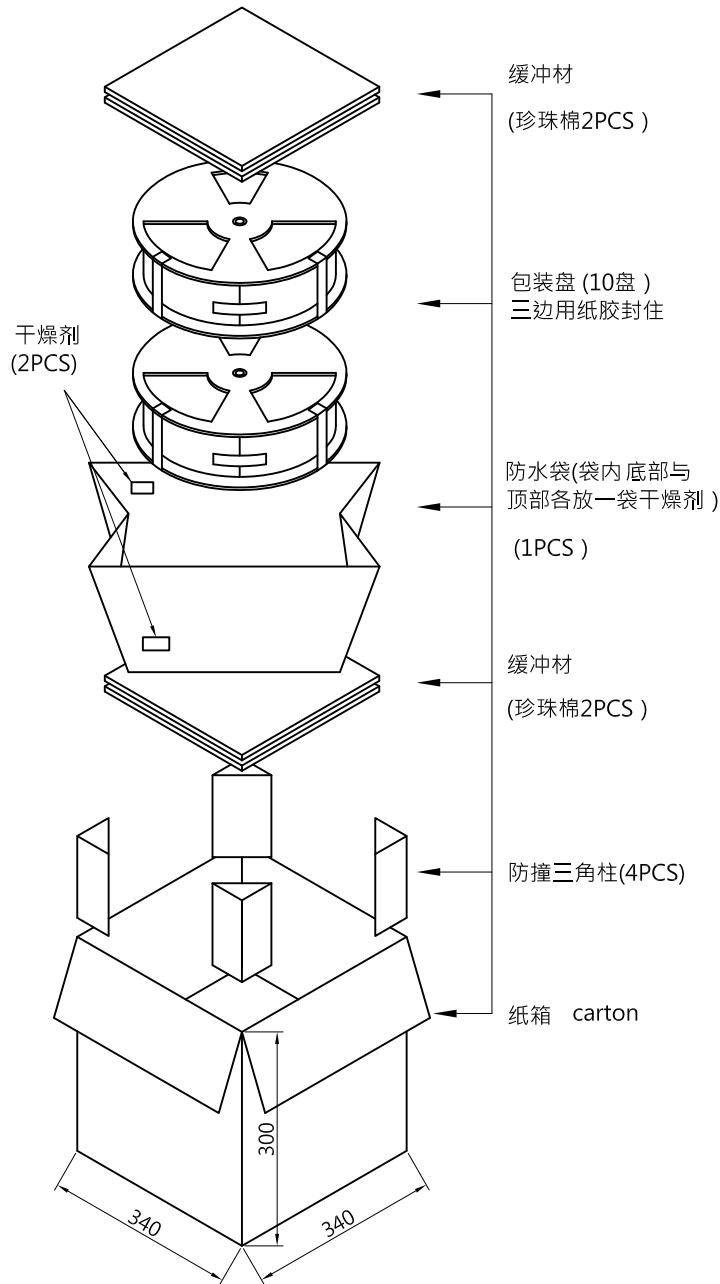
DECIMALS:	ANGLES:
X :±0.5	X :±2°
X.X :±0.20	XX :±1°
X.XX :±0.10	

臺灣訊普電子科技有限公司

TITLE	1.45mm Push Micro SD CARD CONN.(NORMAL OPEN)			
DWN	ALLEN	PART NO.	TF-109	
CHKD	KEVIN	SCALE:1:1	UNIT: mm	
APVD	ERIC.W	SIZE: A3	SHEET:1OF 1	REV: A1

CUSTOMER COPY

REV.	ECN NO OR DESCRIPTION	REVISED	DATE
▽	PROPOSE ONLY	ALLEN	2009.11.08



10	干燥剂	2PCS
9	三角压线条	4PCS
8	珍珠棉	4PCS
7	纸箱	1PCS
6	保护带	10PCS
5	自粘上带	30.6M*10
4	卷盘	10PCS
3	PE防水袋	1PCS
2	载带	10pcs
1	TF1.45卡座	15000PCS

- 备注：
- 1.每卷载带前后各留15PCS空格不使用.
 - 2.每卷载带包装1500PCS产品.
 - 3.以自粘上带覆盖经包装机冷封包装.
 - 4.以保护带覆盖于外圈再以胶带固定并粘贴卷盘标签.
 - 5.将10卷包装好的产品放入PE防水袋,防水袋的上下各放置2PCS珍珠棉,以胶带固定PE防水袋.
 - 6.将包装好的10卷产品放入纸箱,四周用三角压线条固定;外箱用胶带呈“工”字形封口.
 - 7.外箱标签的贴法请参照客户资料.

UNLESS OTHERWISE SPECIFIED TOLERANCES		臺灣訊普電子科技有限公司			
DECIMALS:	ANGLES:	TITLE	1.45mm Push Micro SD CARD CONN.(NORMAL OPEN)		
X :±0.5	X :±2°	DWN	ALLEN	PART NO.	TF-109
X.X :±0.20	X.X :±1°	CHKD	KEVIN	SCALE:1:1	UNIT: mm
X.XX :±0.10		APVD	ERIC.W	SIZE: A3	SHEET:1OF 1
CUSTOMER COPY					